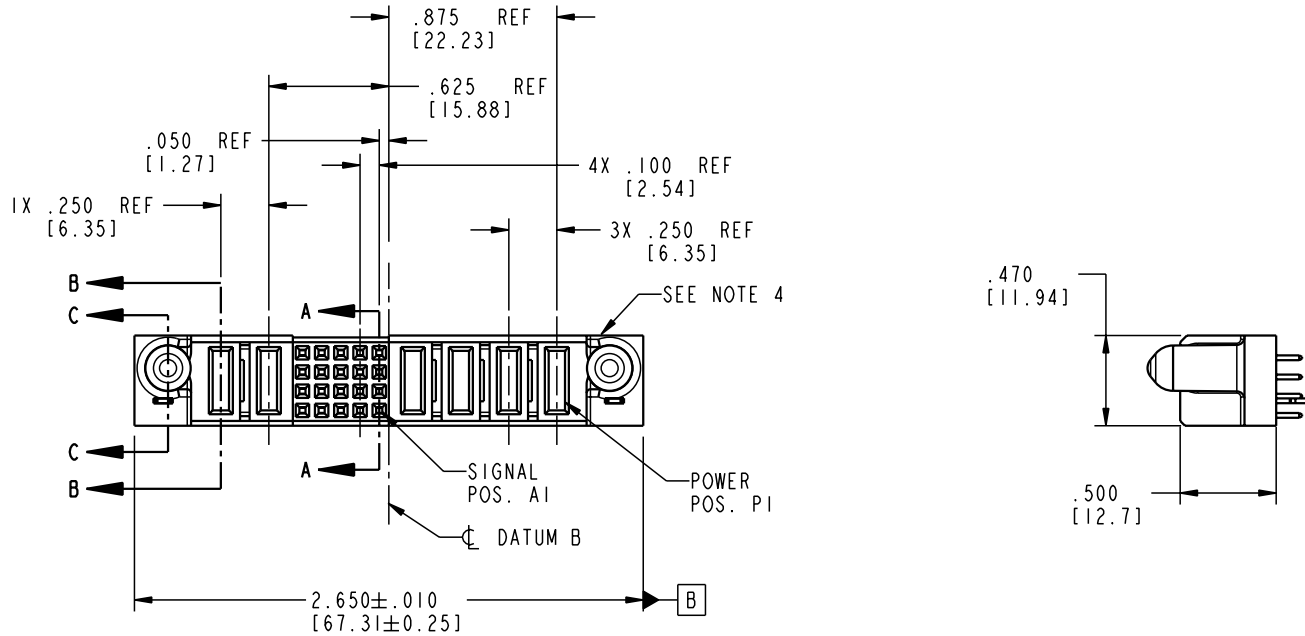


Tous droits strictement réservés. Reproduction ou communication o des liers interdite sous quelque forme que ce soit sans autorisation écrite du propriétaire. Propriete de c FCI. Droits de reproduction FCI.

All rights strictly reserved. Reproduction or issue to third parties in any form, whenever is not permitted without written authority from the proprietor. Property of FCI. Copyright FCI.



PRODUCT NO.	ROWS	POWER		SIGNAL					POWER				E1		
		E2	P6	P5	5	4	3	2	1	P4	P3	P2		P1	
51740-10402002AA	D C B A		PA	PA	E	E	E	E	E	E	PA	PA	PA	PA	



CODE	DIM "M" MATING LENGTH	CONTACT TYPE
E	N/A [N/A]	SIGNAL
PA	.042 [1.07]	POWER
HA	N/A [N/A]	HOLD-DOWN

mat'l code				SEE NOTE 2		tolerances unless otherwise specified		CUSTOMER		 www.fciconnect.com	
ltr	ecn no.	dr	date	linear	.XX±.01/0.X±0.3	projection	COPY		title		
A	V21518	TAB	09/23/02	angles	.XXX±.005/0.XX±0.13				4P + 20S + 2P		
					.XXX±.0020/0.XXX±0.051	INCH/MM			VERTICAL SOLDER RECEPT		
				dr	T. BRUNGARD 09/23/02	product family	PwrBlade		code		
				engr	M. MOSTOLLER 09/23/02	size	dwg no		213		
				chr	M. MOSTOLLER 09/23/02	scale	A 51740-10402002AA		sheet		
				appd	M. MOSTOLLER 09/23/02	1:1			1 of 4		
sheet index	revision sheet	A	A	A	A						
		1	2	3	4						

1 | 2

Pro/E

3 |

cage code 22526

4

PDM: Rev:A

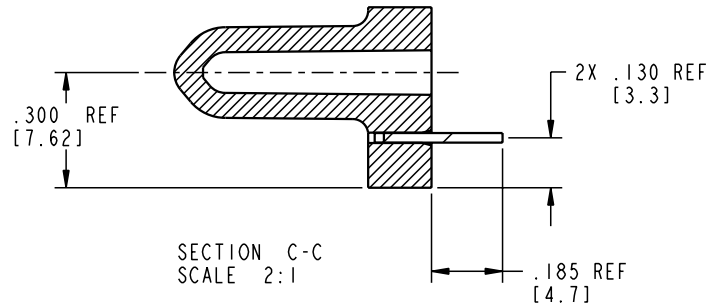
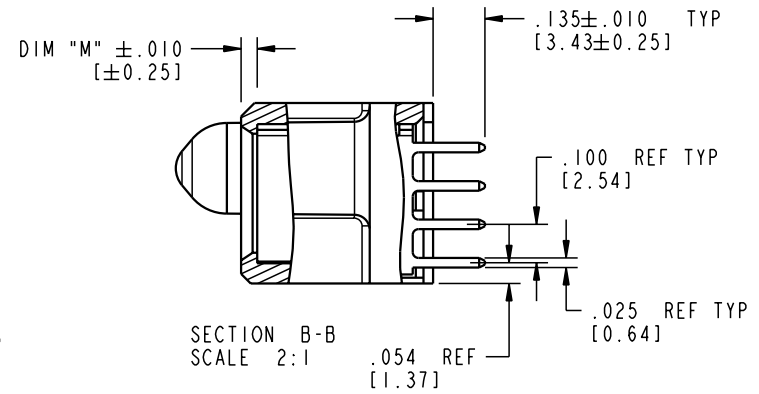
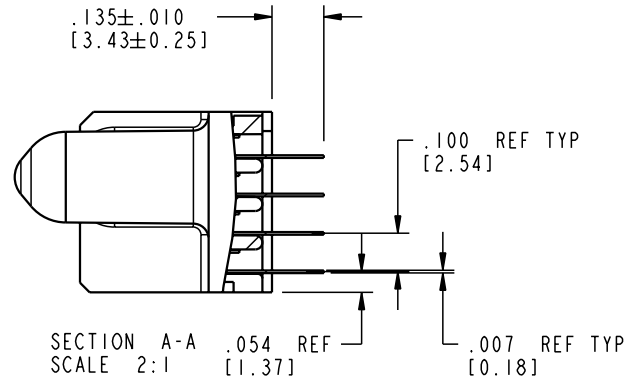
STATUS: Released


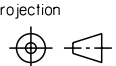
Printed: Aug 14, 2007

Tous droits strictement réservés. Reproduction ou communication o des tiers interdite sous quelque forme que ce soit sans autorisation écrite du propriétaire. Propriete de c FCI. Droits de reproduction FCI.

All rights strictly reserved. Reproduction or issue to third parties in any form, whatever is not permitted without written authority from the proprietor. Property of FCI. Copyright FCI.

PRODUCT NUMBER
51740-10402002AA



mat'l code				SEE NOTE 2		tolerances unless otherwise specified		CUSTOMER		 www.fciconnect.com	
ltr	ecn no.	dr	date	linear	.XX±.01/0.X±0.3		COPY		 title 4P + 20S + 2P VERTICAL SOLDER RECEIPT		
A					.XXX±.005/0.XX±0.13		INCH/MM				
					angles	.XXX±.0020/0.XXX±0.051		scale 1:1		size	dwg no
				dr	T. BRUNGARD	09/23/02			A		51740-10402002AA
				enr	M. MOSTOLLER	09/23/02					
				chr	M. MOSTOLLER	09/23/02					
				appd	M. MOSTOLLER	09/23/02					
sheet index	revision sheet										

Pro/E

cage code 22526

PDM: Rev:A

STATUS: Released

Printed: Aug 14, 2007

Tous droits strictement réservés. Reproduction ou communication o des tiers interdite sous quelque forme que ce soit sans autorisation écrite du propriétaire. Propriété de c FCI. Droits de reproduction FCI.

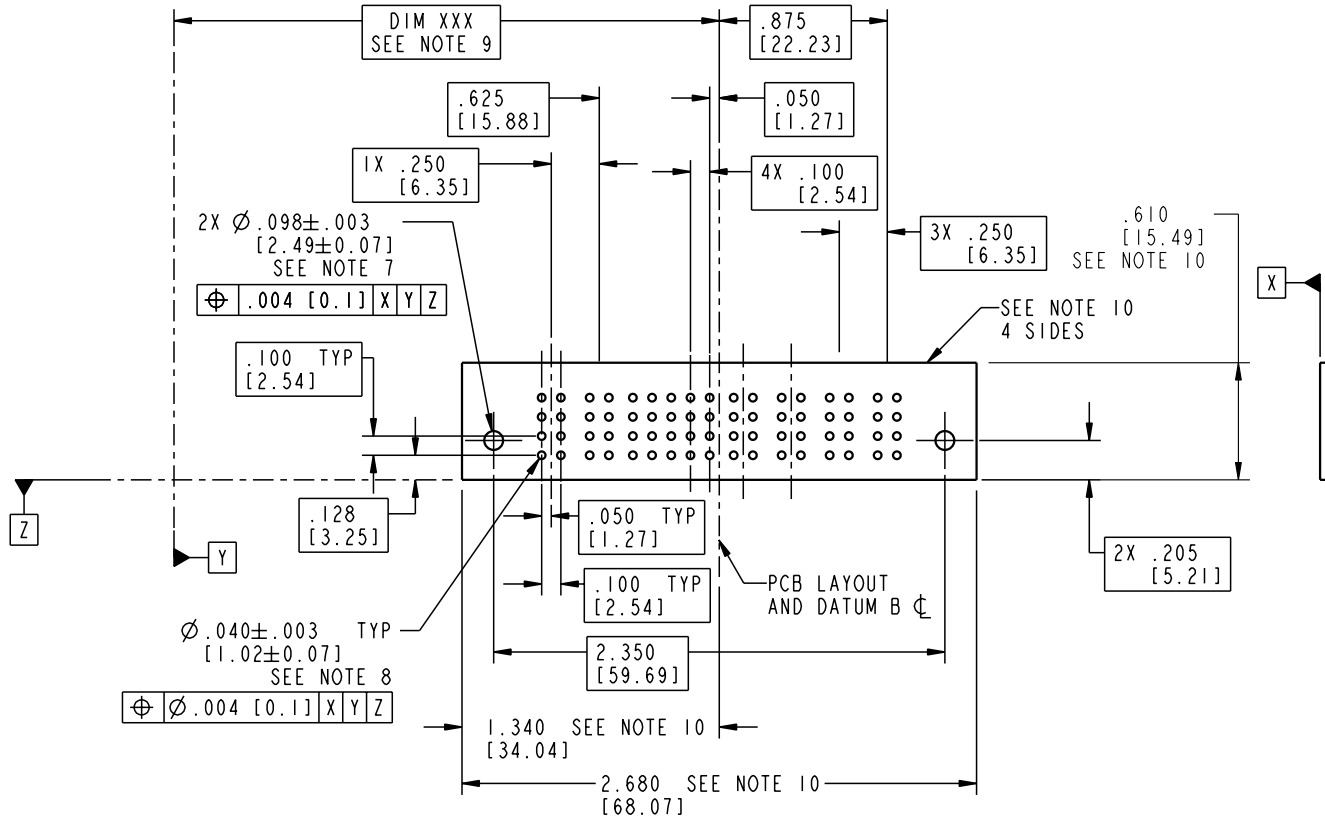
A
FCI

All rights strictly reserved. Reproduction or issue to third parties in any form whatever is not permitted without written authority from the proprietor. Property of FCI. Copyright FCI.

A

A

PRODUCT NUMBER
51740-10402002AA



mat'l code SEE NOTE 2				tolerances unless otherwise specified		CUSTOMER		A FCI www.fciconnect.com	
ltr	ecn no.	dr	date	linear	.XX±.01/0.X±0.3	COPY		title	
A				projection	.XXX±.005/0.XX±0.13	INCH/MM		4P + 20S + 2P	
				angles	.XXX±.0020/0.XX±0.051	INCH/MM		VERTICAL SOLDER RECEIPT	
				dr	T. BRUNGARD 09/23/02	scale		product family	
				enr	M. MOSTOLLER 09/23/02	1:1		PwrBlade	
				chr	M. MOSTOLLER 09/23/02			code	
				appd	M. MOSTOLLER 09/23/02			213	
sheet index		revision sheet						sheet	
								3 of 4	

B

B

1 | 2

Pro/E

3 |

cage code 22526

4

PDM: Rev:A

STATUS: **Released**

Printed: Aug 14, 2007

Tous droits strictement réservés. Reproduction ou communication o des tiers interdite sous quelque forme que ce soit sans autorisation écrite du propriétaire. Propriete de c FCI. Droits de reproduction FCI.

A
FCI

All rights strictly reserved. Reproduction or issue to third parties in any form, whatever is not permitted without written authority from the proprietor. Property of FCI. Copyright FCI.

B

PRODUCT NUMBER
51740-10402002AA

NOTES:

1. DIMENSIONS AND TOLERANCES ARE IN ACCORDANCE WITH ASME Y14.5M, 1994 UNLESS OTHERWISE SPECIFIED.

CONNECTOR NOTES:

② HOUSING MATERIAL: UL 94 V-0 GLASS FILLED
HIGH-TEMP THERMOPLASTIC
POWER CONTACT MATERIAL: COPPER ALLOY
SIGNAL PIN MATERIAL: COPPER ALLOY

3. PLATING:
SIGNAL PINS: 30u"/0.76um Au OVER 50u"/1.27um Ni
POWER CONTACTS: 50u"/1.27um Ni UNDER ALL
WITH 30u"/0.76um Au ON CONTACT AREA
AND SnPb ON PCB INTERFACE

④ MANUFACTURER'S NAME, P/N, AND DATE CODE TO APPEAR ON THIS SURFACE.

5. PRODUCT SPECIFICATION GS-12-149.
APPLICATION SPECIFICATION BUS-20-067.

PCB NOTES:

6. ALL HOLE DIAMETERS ARE FINISHED HOLE SIZE.
7. MOUNTING HOLES, WHERE APPLICABLE, ARE UNPLATED.

⑧ $\varnothing .0453 \pm .0010$ [1.151 ± 0.025] DRILLED HOLES PLATED WITH
.0003 [0.008] MIN SnPb OVER .001 [0.03]
TO .003 [0.08] Cu PLATING TO ACHIEVE
 $\varnothing .040 \pm .003$ [1.02 ± .07] HOLE.

⑨ "DIM XXX" TO BE DETERMINED BY THE CUSTOMER.

⑩ CONNECTOR KEEP-OUT ZONE.

mat'l code				SEE NOTE 2		tolerances unless otherwise specified		CUSTOMER		A FCI www.fciconnect.com	
ltr	ecm no.	dr	date	linear	.XX±.01/0.X±0.3		COPY		title 4P + 20S + 2P VERTICAL SOLDER RECEPT		
A					.XXX±.005/0.XX±0.13		projection				
					.XXX±.0020/0.XXX±0.051		INCH/MM		size A 51740-10402002AA sheet 4 of 4		
				angles	$0^{\circ} \pm 2^{\circ}$		scale				
				dr	T. BRUNGARD	09/23/02	scale 1:1		A 51740-10402002AA sheet 4 of 4		
				enr	M. MOSTOLLER	09/23/02					
				chr	M. MOSTOLLER	09/23/02					
				appd	M. MOSTOLLER	09/23/02					
sheet index	revision sheet										

A

B

1 | 2

3 |

4

1 | 2

Pro/E

3 |

cage code 22526

4

PDM: Rev:A

STATUS: **Released**

Printed: Aug 14, 2007